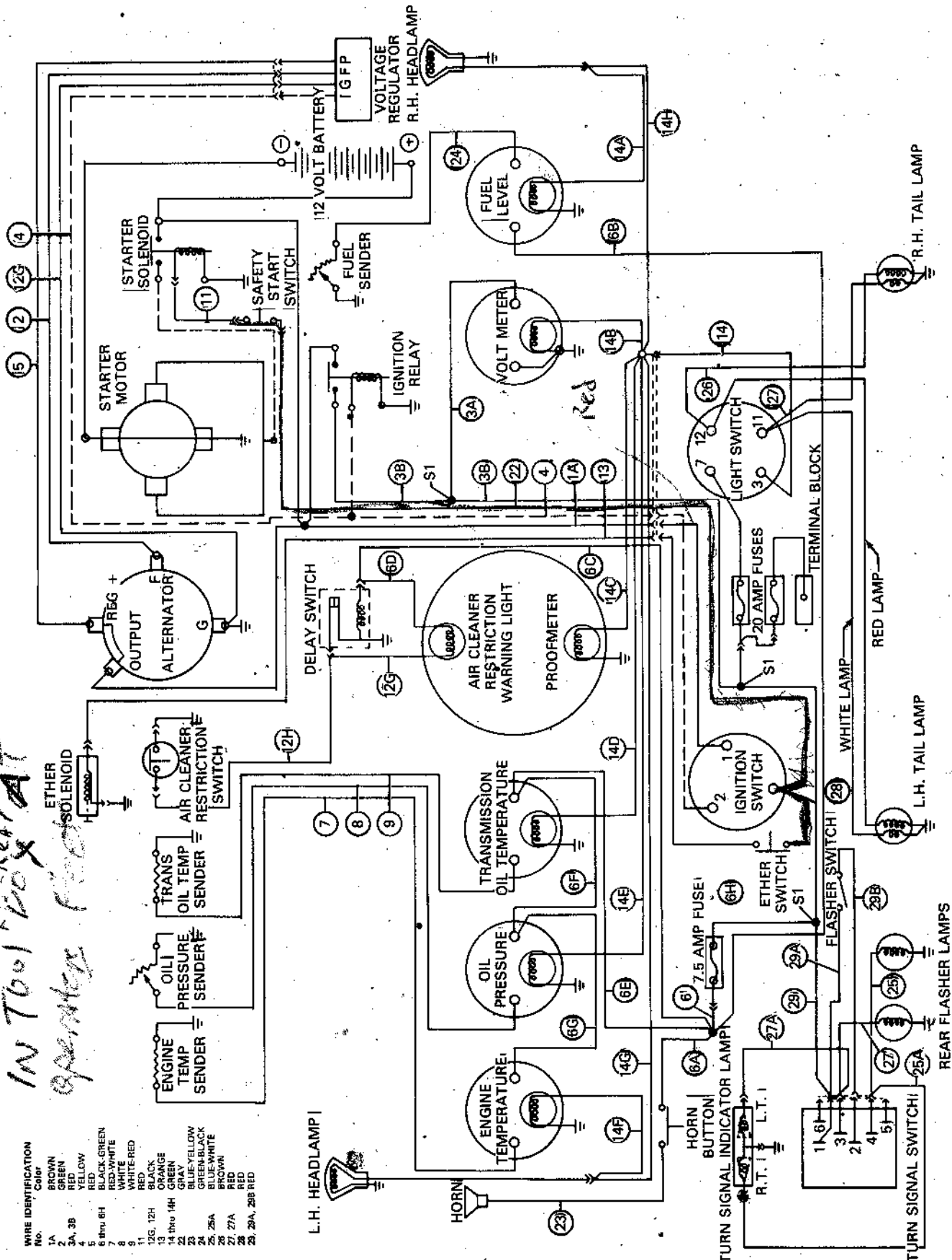


PART 3 - ELECTRICAL SYSTEM

7.5 Amp Fuse controls gauges (not fuse lights) rear under hood to change  
 Flashes & Horn  
 EASen to Panel  
 IN TOOL BOX AT  
 Operator's Foot



WIRE IDENTIFICATION

No.	Color
1A	BROWN
2	GREEN
3A, 3B	RED
4	YELLOW
6 thru 8H	BLACK-GREEN
7	RED-WHITE
8	WHITE-RED
9	RED
11	BLACK
12G, 12H	BLACK
13	ORANGE
14 thru 14H	BLACK
23	BLUE-YELLOW
24	GREEN-BLACK
25, 25A	BLUE-WHITE
26	BROWN
27, 27A	RED
28	RED
28, 29A, 29B	RED

Figure 1  
Schematic