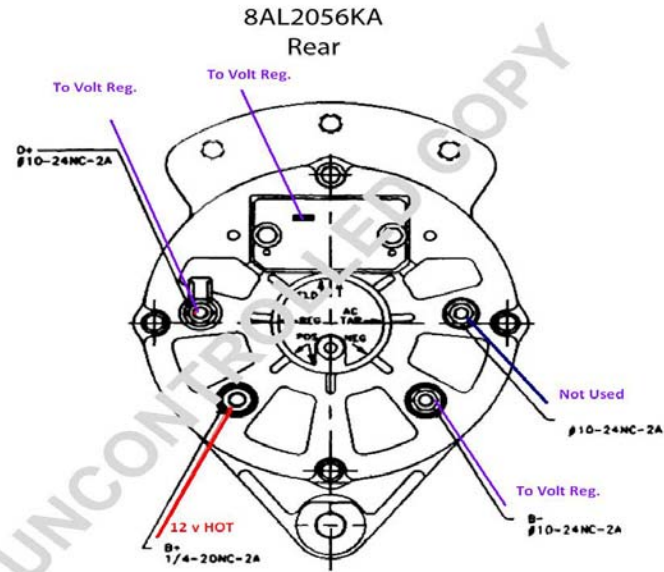
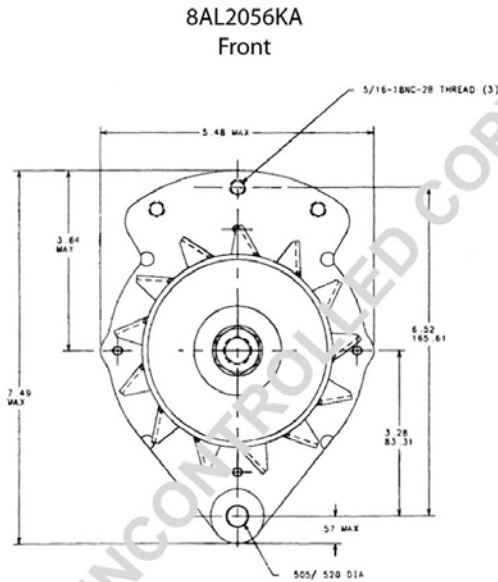


# ALTERNATOR



see wiring diagram below

## Motorola Product Specifications

Spec	Value
Item number	8AL2056KA
Sales number	110-536
Series number	8AR-8AL
Notes	TRIO
Volt	12
Output	51
Mounting style	SPOOL
Dimensions in	INCHES
Spool length	2
Rotation	CLOCKWISE
Housing coating	RAW
UL Approved	No
Mounting bolt size	.505-.520
Mounting ear size	5/16-18 NC (3 HOLE)

Mounting holes	3
Positive stud	1/4-20 NC
Negative stud	10-24 NC
Rectifier location	INTERNAL
Shaft diameter	.6265-.6272
Pulley included	4944040F02

## Availability

Region	Priority / Status
<a href="#">USA / Canada</a>	Low (C)
<a href="#">United Kingdom / Europe</a>	Limited (W)

## Numbers Our Customers Use

Company	Part number
FORD MKTG CO	D5NN-10300-D

## Cross Reference Numbers

Company	Part number	Comment
AES US	7377N	
ARROW	29-1203	
FORD	D5NN-10300-A	
FORD	D5NN-10300-BA	
FORD	D5NN-10300-D	
FORD	D5NN10300D	
FORD - NEW HOLLAND	D5NN10300D	
LESTER	7377	
MOTOROLA	8AL2056K	
RAYLOC	13-6079	
Dixie	109-10107	

